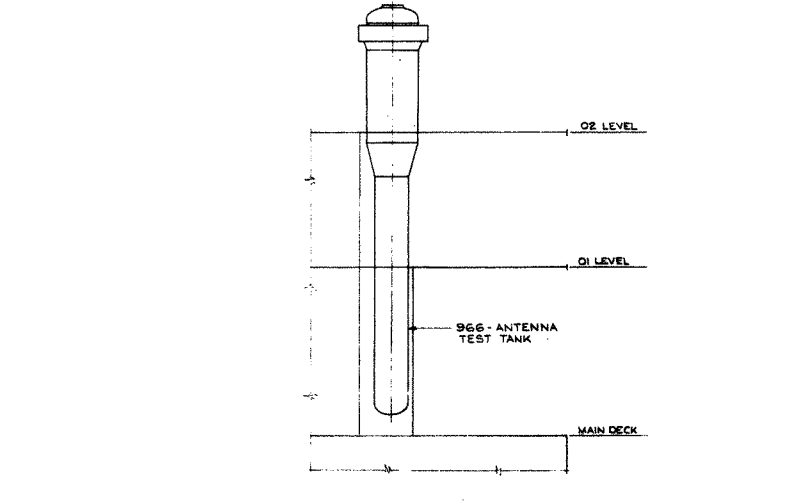


REFERENCES

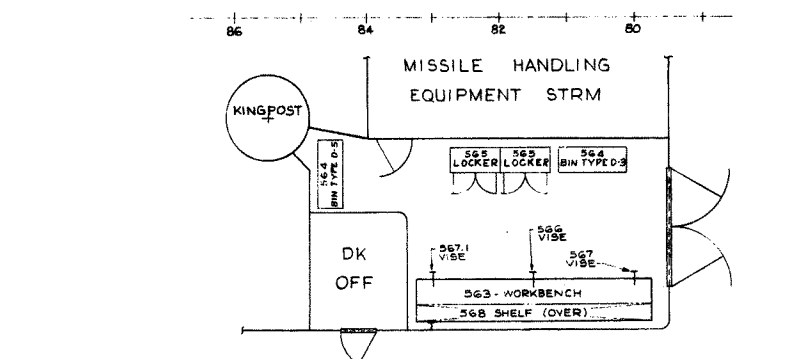
- 1 AS-34-800-2018864 - ARRANGEMENT OF SHOPS, 2ND DECK & BELOW
- 2 AS-34-800-2018865 - ARRANGEMENT OF TORPEDO, ASTOR & SUBROIC WORKSHOPS

LIST OF SHOPS

- 1 CO<sub>2</sub> TRANSFER SHOP
- 2 CRF SHOP
- 3 ELECTRICAL SHOP
- 4 ELECTRONICS SHOP & ELECTRONICS T/YE STORAGE & OFFICE
- 5 ELECTRONICS STANDARDS LABORATORY & MICROWAVE ROOM
- 6 FBM MODULE CHECK-OUT SHOP
- 7 FIRE CONTROL SHOP
- 8 FOUNDRY
- 9 GYRO COMPASS SHOP
- 10 HYDRAULIC TESTING SHOP
- 11 INTERNAL COMBUSTION ENGINE SHOP
- 12 MECHANICAL INSTRUMENT SHOP
- 13 MECHANICAL STANDARDS LABORATORY
- 14 MISSILE HANDLING EQUIPMENT SHOP
- 15 NAVIGATION EQUIPMENT SHOP
- 16 NOISE & VIBRATION TEST ROOM & ANALYSIS ROOM
- 17 OPTICAL SHOP
- 18 OUTSIDE MACHINE SHOP
- 19 PAINTING & REFINISHING ROOM
- 20 RADIOGRAPHIC PROCESSING & VIEWING ROOM
- 21 SHEETMETAL SHOP
- 22 SHIPFITTER & WELDING SHOP
- 23 STORAGE BATTERY (PORTABLE) SHOP
- 24 STORAGE BATTERY SHOP (SUBMARINES)
- 25 SUBMARINE ANTENNA SHOP
- 26 SUBMARINE ANTENNA TEST TANK PUMP & STORAGE ROOM
- 27 WATCH REPAIR SHOP



PARTIAL SECTION AT FR 127 LOOKING AFT - PORT SIDE



MISSILE HANDLING EQUIPMENT SHOP  
MAIN DECK

DEPARTMENT OF THE NAVY		WASHINGTON, D.C.	
BUREAU OF SHIPS			
SUBMARINE TENDER AS 34			
ARRANGEMENT OF SHOPS MAIN DECK & ABOVE			
EXAMINED	DATE	BY	REV
OFFICIAL SIGNATURE	DATE	BY	REV
DESIGNED	DATE	BY	REV
REVIEWED	DATE	BY	REV
DRAWN	DATE	BY	REV
MACHINERY		AS 34 800 2018863	
CONTRACT GUIDANCE PLAN		SCALE - 1/4" = 1'-0"	