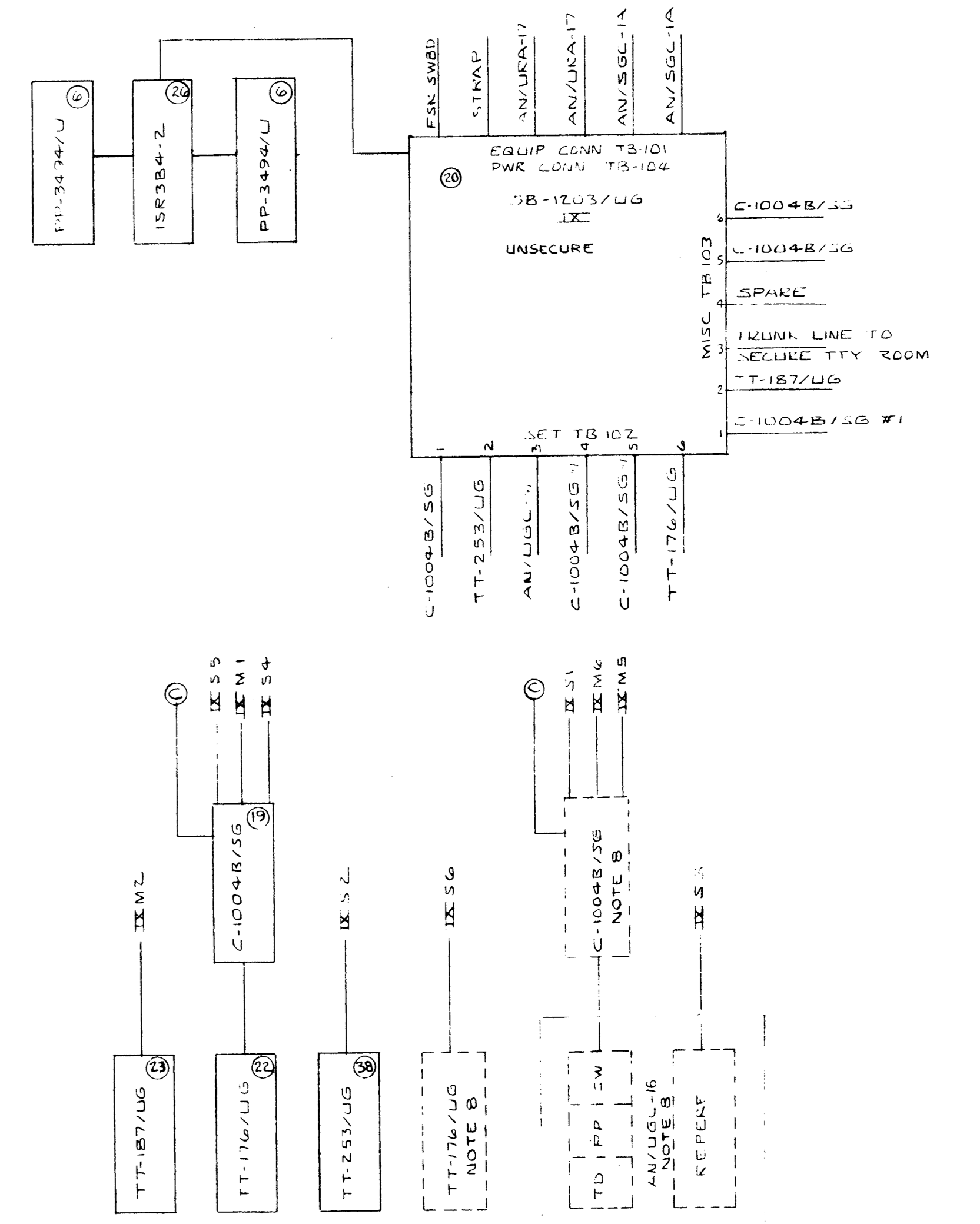
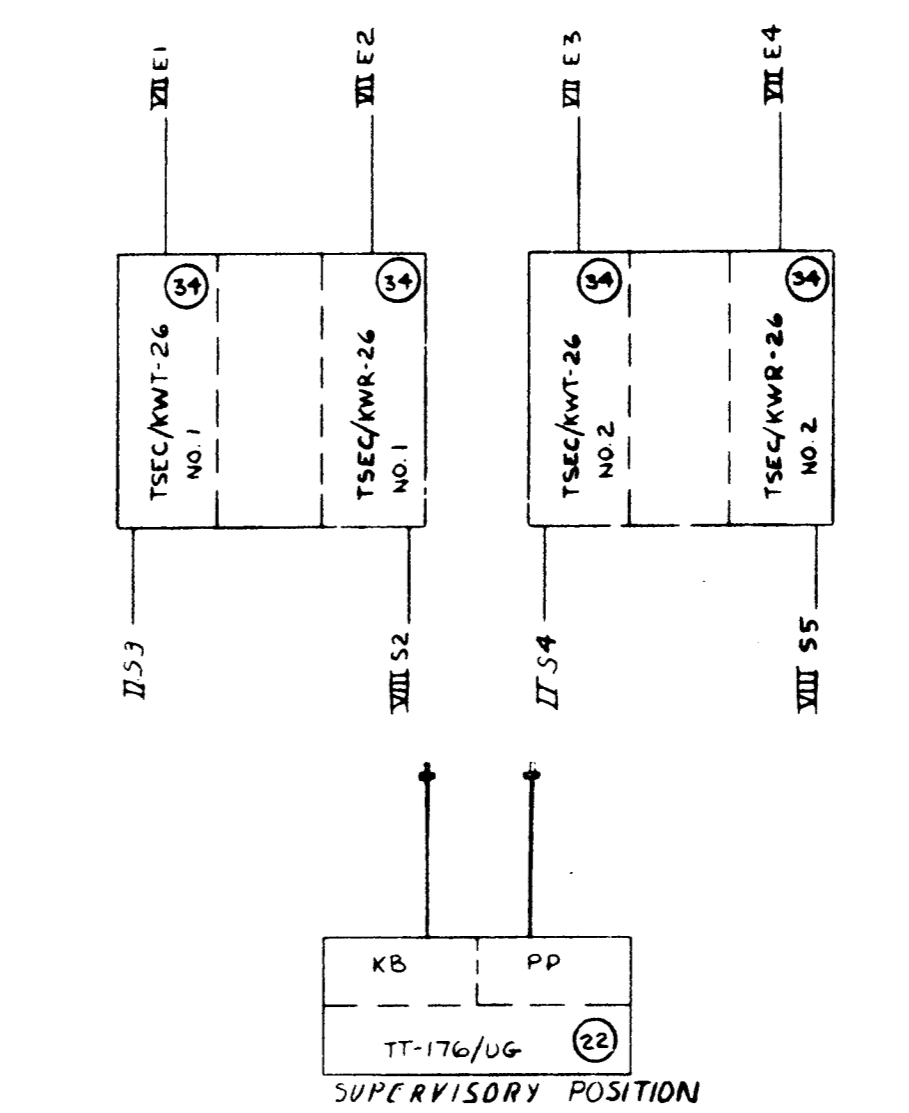
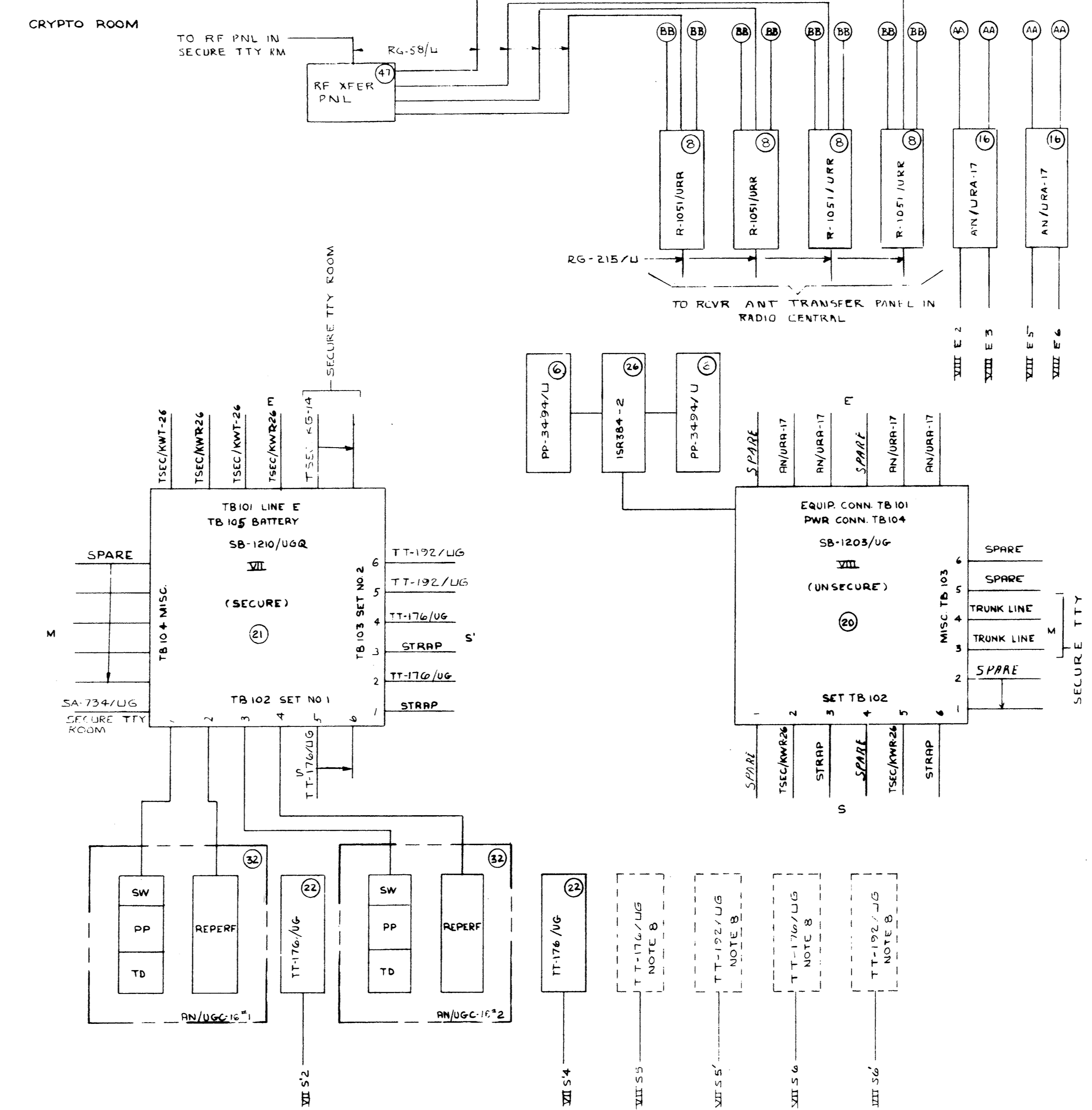
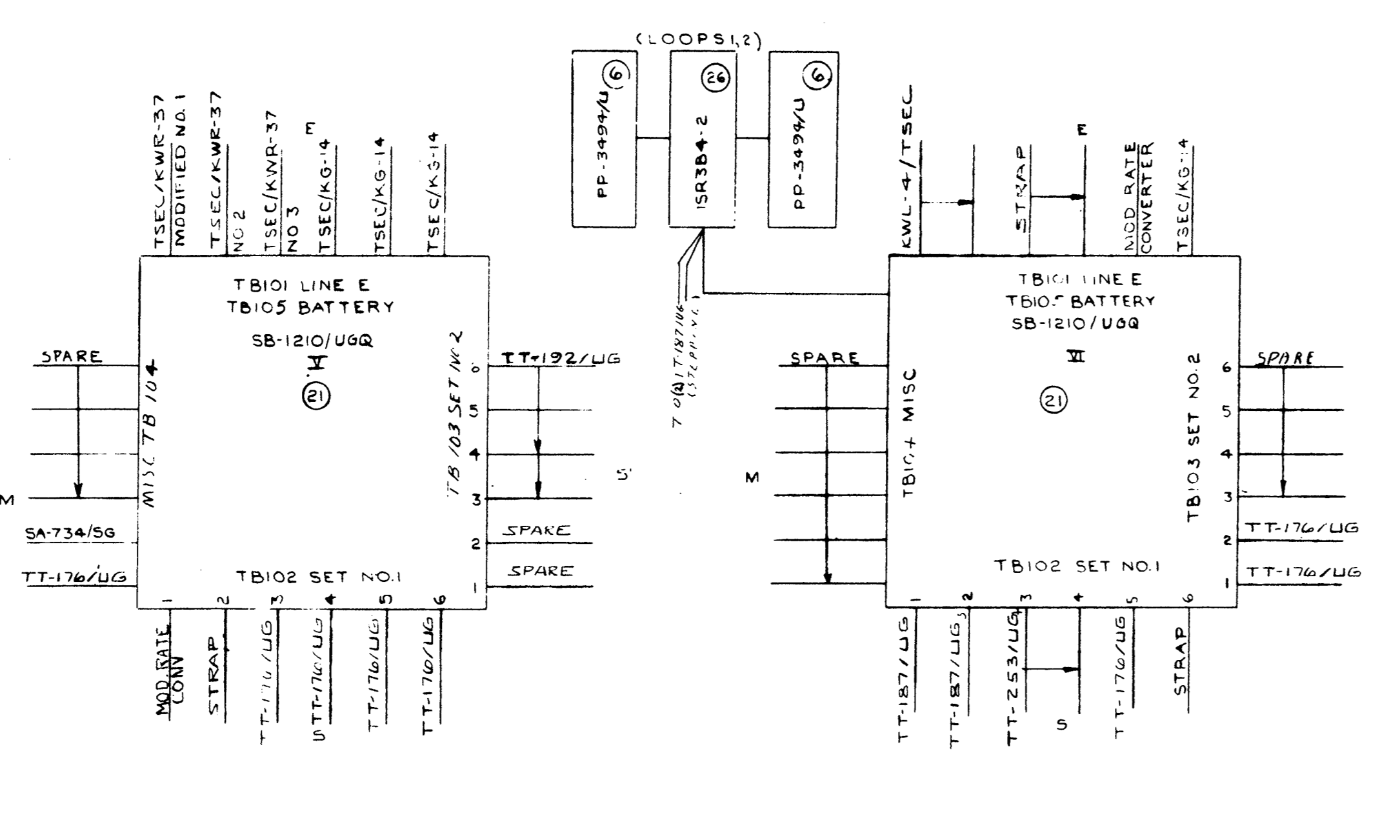
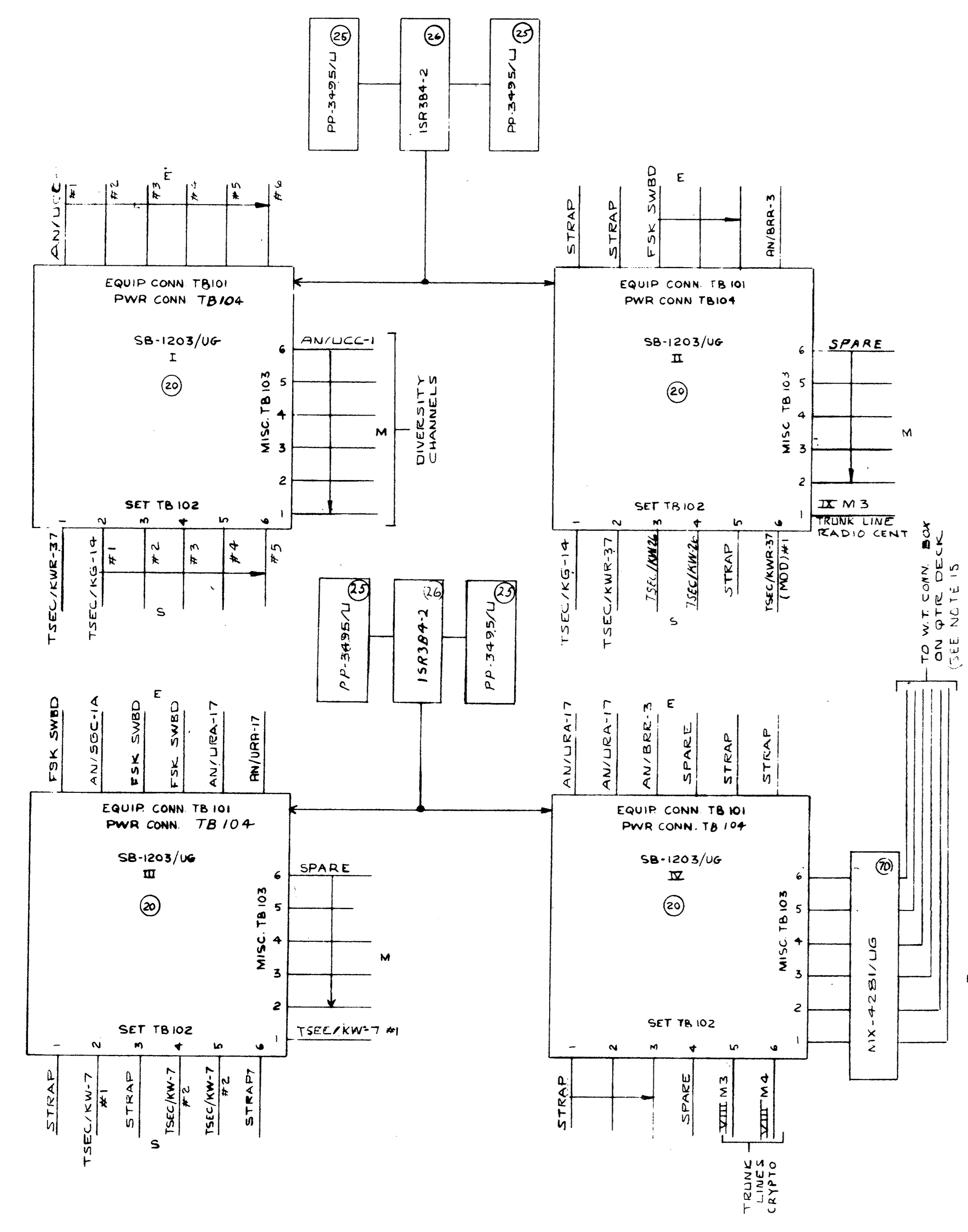


SECURE TELETYPE ROOM
FOR CONT. SEE SHEET 2



DEPARTMENT OF THE NAVY		WASHINGTON, D. C.	
BUREAU OF SHIPS			
SUBMARINE TENDER AS-34			
RADIO COMMUNICATIONS SYSTEM			
EXAMINED	OFFICIAL SIGNATURE	DATE	REV
DESIGNED	BY	DATE	REV
DRAWN	BY	DATE	REV
CHECKED	BY	DATE	REV
APPROVED	FOR CHIEF OF BUREAU	DATE	REV
ELECTRONICS CONTRACT GUIDANCE PLAN		AS-34	800 211843
SCALE NONE		SHEET 3 OF 3	