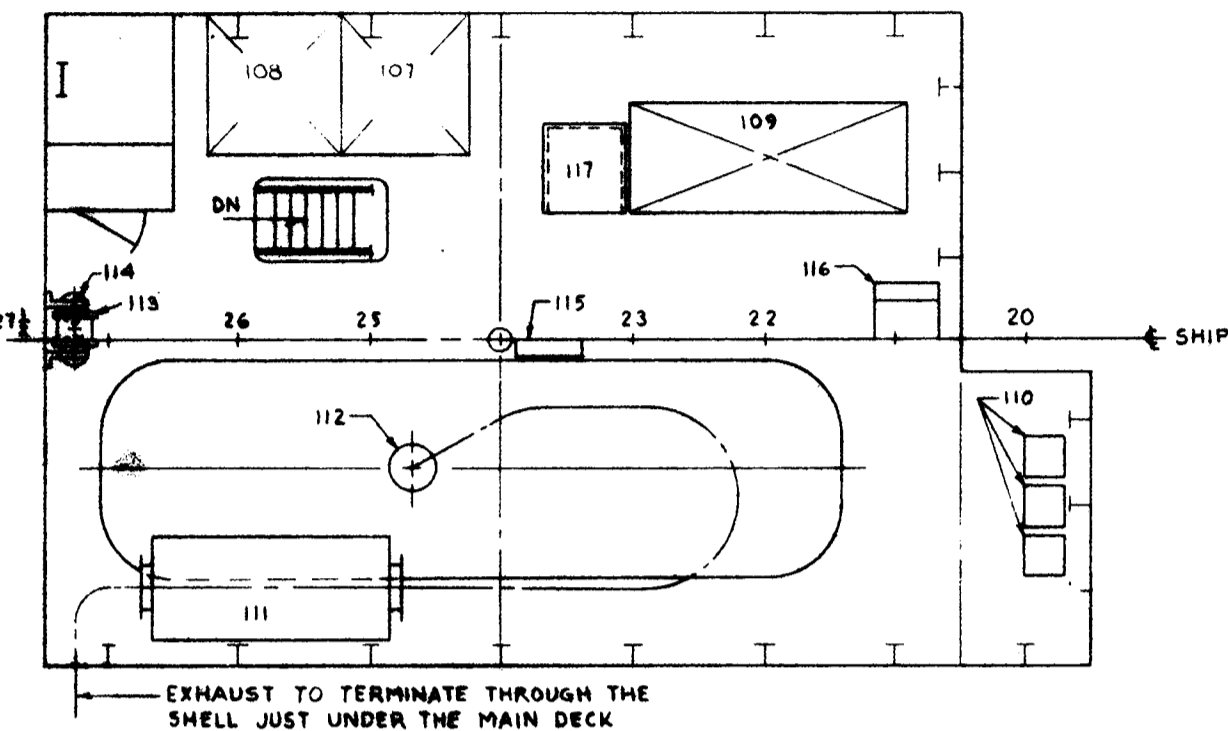
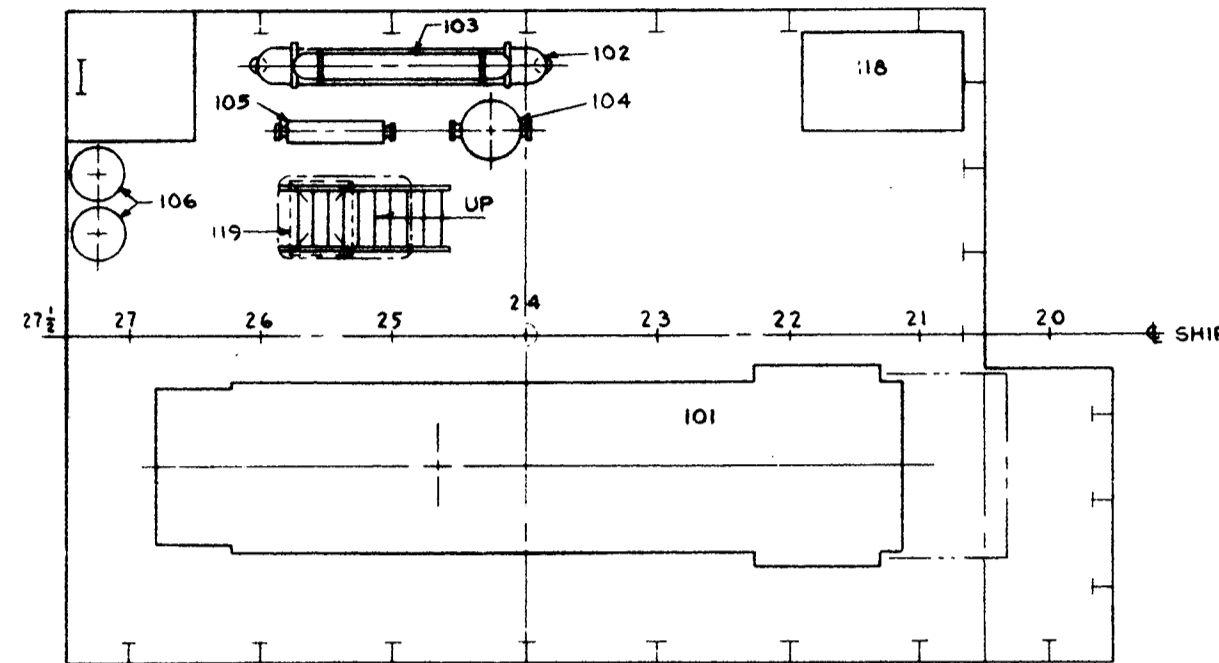


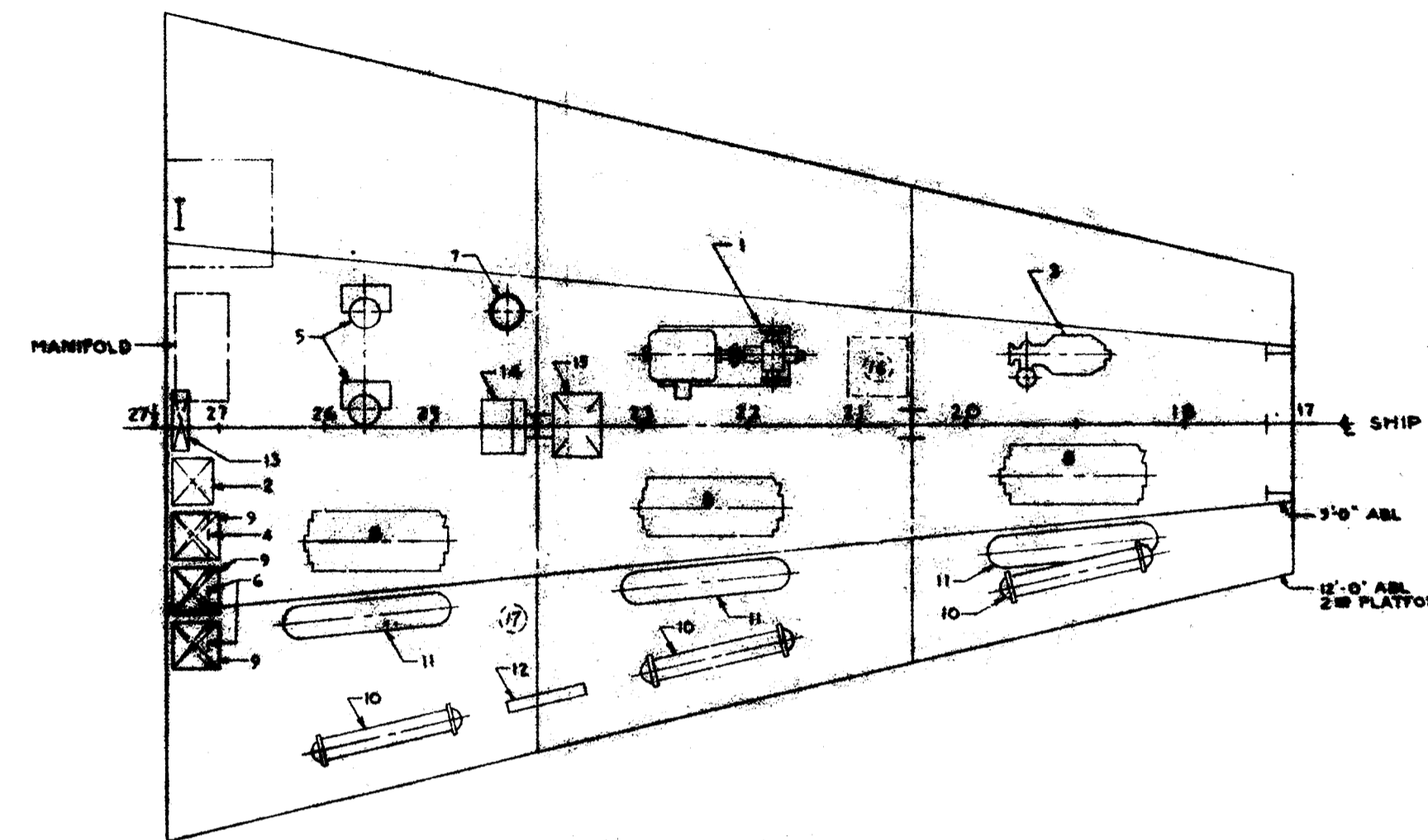
PLAN-HOLD



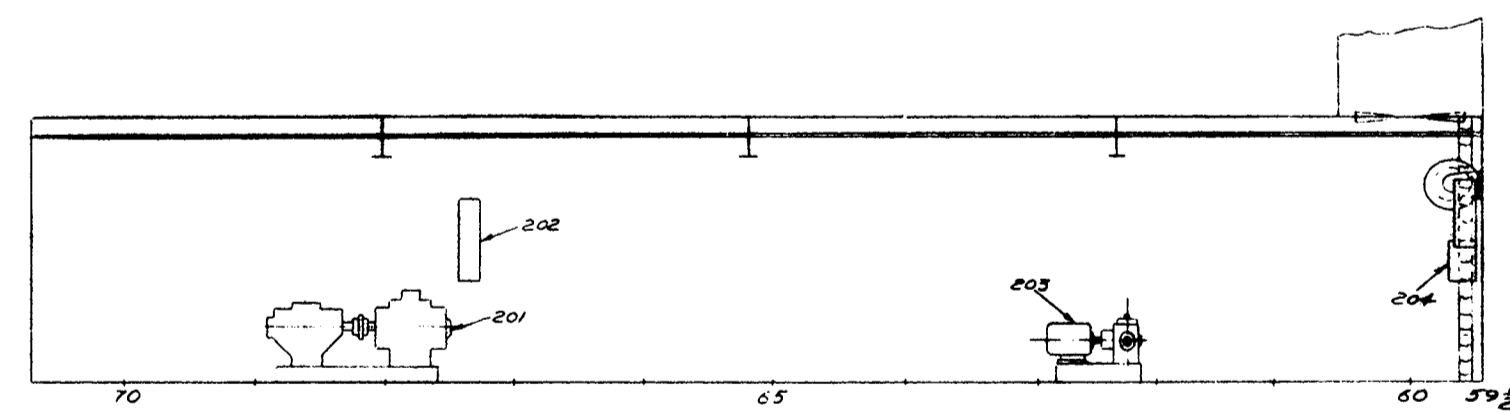
PLAN-4TH DECK



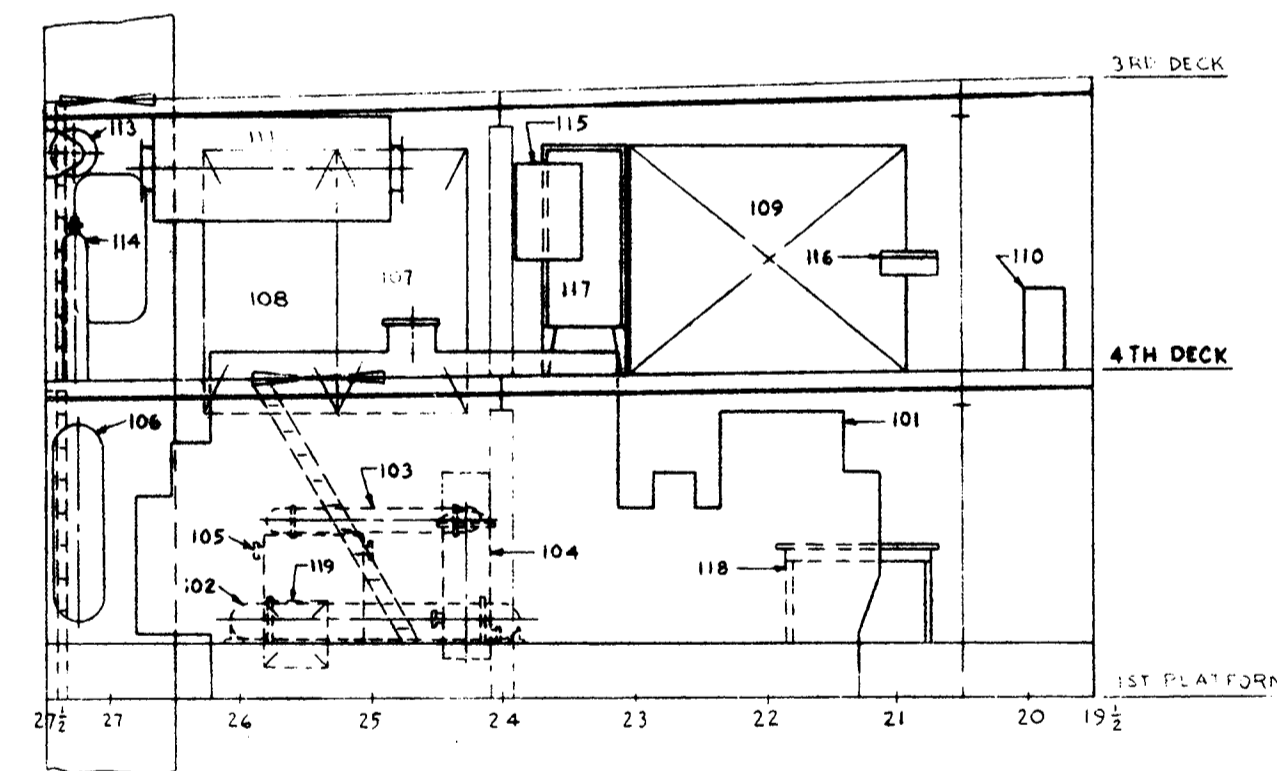
PLAN-1ST PLATFORM



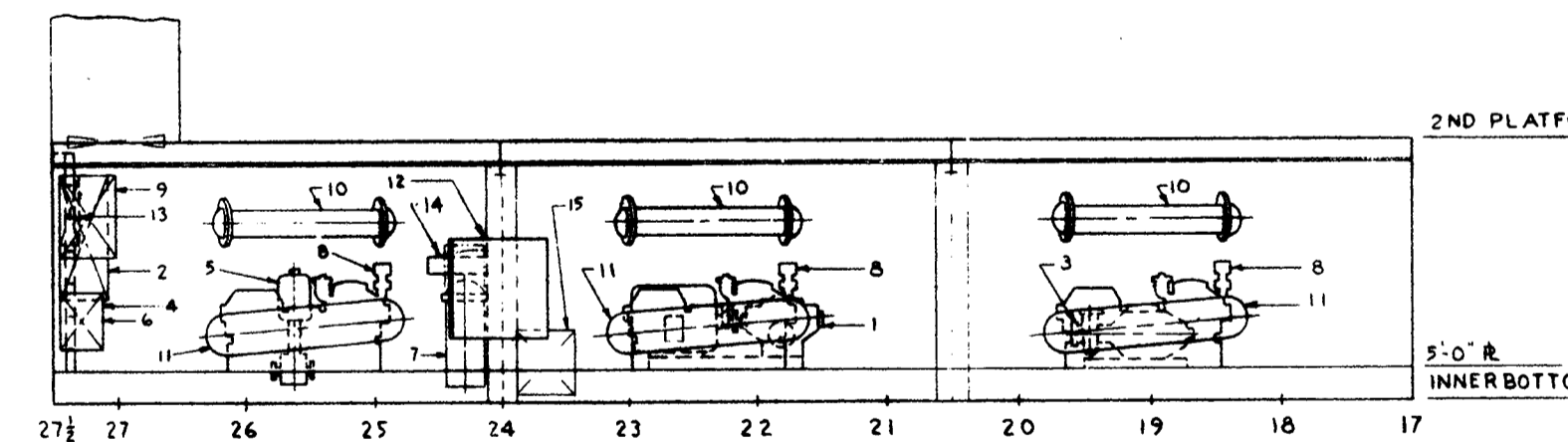
PLAN-HOLD



ELEVATION



ELEVATION



ELEVATION

PUMP ROOM NO. 2

EMERGENCY DIESEL GENERATOR ROOM

PUMP ROOM NO. 1 &  
REFRIGERATING MACHY. ROOM

LIST OF MACHINERY		QUANTITIES	FOR	ONE SHIP
ITEM NO.	DESCRIPTION			
1	FIRE PUMP	1		
2	CONTROLLER	1		
3	SALT WATER BOOSTER PUMP (EMER. DIESEL GEN.)	1		
4	CONTROLLER	1		
5	DIESEL OIL TRANSFER PUMP	2		
6	CONTROLLER	2		
7	FILTER	1		
8	SHIPS SERVICE REFRIGERATION COMPRESSOR	3		
9	CONTROLLER	3		
10	CONDENSER	3		
11	RECEIVER	3		
12	GAGE BOARD	1		
13	POWER PANEL	1		
14	LOG DESK	1		
15	DRAIN TANK	1		
16	SEA CHEST	1		
17	OVERBOARD DISCHARGE	1		
EMERGENCY DIESEL GENERATOR ROOM				
101	DIESEL GENERATOR	1		
102	FRESH WATER COOLER	1		
103	LUBE OIL COOLER	1		
104	FILTER	1		
105	STRAINER	1		
106	STARTING AIR TANK	2		
107	DIESEL OIL SERVICE TANK	1		
108	LUBE OIL STORAGE TANK	1		
109	EMERGENCY SWITCHBOARD	1		
110	TRANSFORMER	3		
111	EXHAUST MUFFLER	1		
112	FLEXIBLE PIPE	1		
113	CO <sub>2</sub> HOSE REEL	1		
114	CO <sub>2</sub> BOTTLE	2		
115	GAGE BOARD	1		
116	LOG DESK	1		
117	PHONE BOOTH	1		
118	WORK BENCH	1		
119	D.O. DRAIN TANK	1		
PUMP ROOM NO. 2				
201	FUEL OIL TRANSFER PUMP	1		
202	CONTROLLER	1		
203	STRIPPING PUMP	1		
204	CONTROLLER	1		

NOTE  
1. FOR LIST OF REFERENCE PLANS SEE BUSHIPS PLAN NO. AS 34-800-20188-5A

DEPARTMENT OF THE NAVY		WASHINGTON, D.C.	
BUREAU OF SHIPS			
EXAMINED	SIGNATURE	SUBMARINE TENDER AS 34	
OFFICIAL		ARRANGEMENT OF MACHINERY	
DESIGNED		EMERGENCY GENERATOR & PUMP ROOMS	
REVIEWED		DATE: 5F-1-63	
APPROVED		BUREAU OF SHIPS NO. 2018862	
MACHINERY CONTRACT		AS 34	800 2018862
GUIDANCE PLAN		SCALE: 1/4" = 1'-0"	

